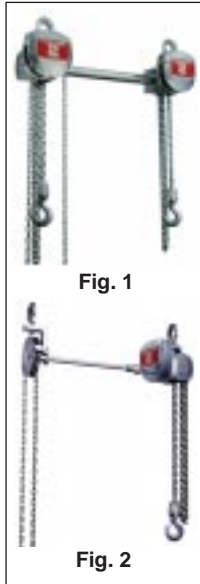
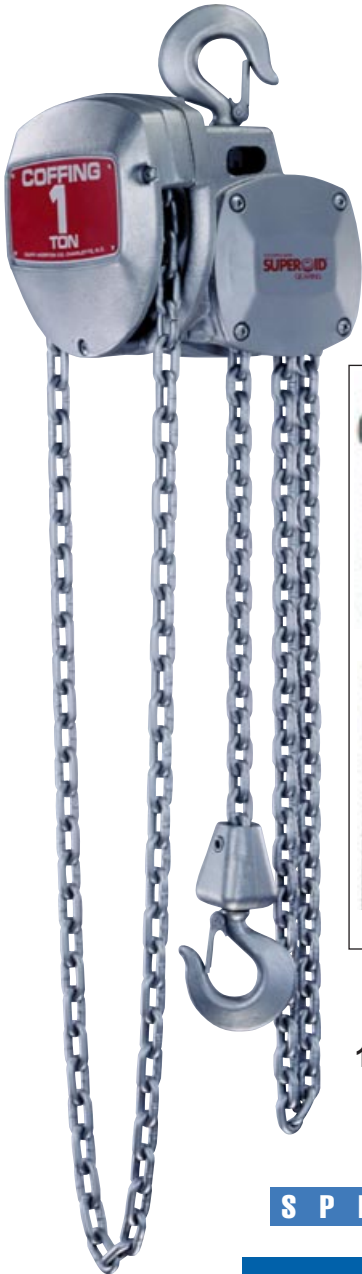


Proven Industrial Performance

CA and CB Hand Chain Hoists



1/2 Ton - CA
1-12 Ton - CB
Made in USA

COFFING CA & CB Models - Hand chain hoists set the standard for performance and durability. The CB has exclusive right angle Superoid® gearing (see facing page) which provides smooth chain travel and requires little maintenance. The CB is ideal for industrial lifting applications.

- **CAPACITIES & LIFT** - Rated loads from 1/2 to 12 Tons. Standard 8-foot lift and 6-foot hand chain drop. Other lifts and hand chain drops available.
- **GOVERNMENT APPROVED** - All CB models except CA-1/2 meet MIL-H-904 Class 2 requirements, Type C, Style 1 or 2.
- **DURABLE** - Impact-resistant, permanent mold aluminum alloy housing provides extra strength and long service life.
- **EASY INSPECTION AND MAINTENANCE** - Easily dismantled with simple hand tools for routine inspection and maintenance.
- **OPTIONAL CAPACITY LIMITER** - Provided when specified at time of order at *no extra charge* (see facing page).
- **LOAD CONTROL** - Fully enclosed, self-adjusting, friction-type screw and disc load brake ensures positive load control.
- **TWIN HOOK (TH Models)** - Available for 1/2 to 3 Ton models. Useful for lifting long, bulky loads. Standard 3-foot space between hooks - for other spacing, consult factory. See Fig. 1
- **EXTENDED HAND WHEEL (EHW Models)** - Available for 1 1/2 to 3 Ton models. Useful for dipping applications or other situations where hoist must be operated from a distance. Standard 3-foot extension - for other lengths, consult factory. See Fig. 2
- **OPTIONS** - Bullard hooks, plated hooks, plated chain, stainless steel chain, spark-resistant features, and top clevis connection available - consult factory. Chain containers available, see page 35.
- **LIFETIME WARRANTY**

SPECIFICATIONS

CA and CB Hand Chain Hoists

Capacity		Model †	Capacity Limiter Model †	Strands of Load Chain	Minimum Headroom (In.)	Hand Chain Overhaul for 1 Ft. Lift (Ft.)	Average Pull to Lift Rated Load (Lbs.)	Net Weight (Lbs.)
Lbs.	Tons							
1000	1/2	CA-1/2*	CA-1/2-CL*	1	13 1/4	18	58	22
2000	1	CB-1	CB-1-CL	1	13 3/8	38	58	38
3000	1 1/2	CB-1 1/2	CB-1 1/2-CL	1	18 1/2	58	62	58
4000	2	CB-2	CB-2-CL	1	18 1/2	58	83	58
6000	3	CB-3	CB-3-CL	1	21 1/2	85	91	78
8000	4	CB-4	CB-4-CL	2	25 1/4	116	85	98
10000	5	CB-5	CB-5-CL	3	26 3/4	174	72	127
12000	6	CB-6	CB-6-CL	3	26 3/4	174	87	127
16000	8	CB-8	CB-8-CL	4	28 1/2	232	90	160
20000	10	CB-10	CB-10-CL	4	31	340	83	212
24000	12	CB-12	CB-12-CL	4	31	340	100	212

NOTE:

For complete dimensional data, refer to Coffing Dimensional Databook.

* Spur gear model.

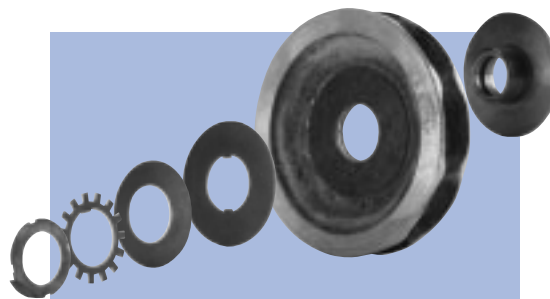
† Specify TH for twin hook model or EHW for extended hand wheel model (ex. TH-1 or EHW-3).

CA, CB, CTH, TH, EHW & AT Features



Superoid® Gearing

Coffing's exclusive Superoid® gear transmission provides greater strength and durability with fewer wearing parts. This unique right angle gear drive involves only two rugged gears and engages four teeth at all times, providing smooth lifting power and spreading wear to decrease the need for maintenance.



Capacity Limiter

Coffing's optional capacity limiter protects the operator, the load, and the hoist. Under severe overload conditions, the capacity limiter's clutch assembly automatically disengages the handwheel to prevent lifting of a dangerous overload. Removing the overload automatically restores the lifting capacity of the hoist. The capacity limiter is provided when specified at *no extra charge*.

CTH — Trolley Mounted Suspension

COFFING CTH Models - Featuring a CA or CB hoist integrally mounted to a CT trolley. The CTH is ideal for industrial lifting applications which require a trolley mounted hoist for horizontal movement of the load.

- **CAPACITIES & LIFT** - Rated loads from 1/2 to 6 Tons in plain or geared trolley models. Standard 8-foot lift and 6-foot hand chain drop, with other lifts and hand chain drops available.
- **REDUCED HEADROOM** - Lug-mounted trolley hoist design.
- **HOIST FEATURES** - Please refer to CA and CB information on previous page.
- **OPTIONS** - Capacity limiter available - provided when specified at time of order at *no extra charge*. Special trolley wheels, spark resistant features, and track clamps available — consult factory.



SPECIFICATIONS

CTH Trolley Mounted Hoists

Capacity		Model Number	Minimum Headroom (In.)	Hand Chain Overhaul for 1 Ft. Lift (Ft.)	Average Pull to Lift Rated Load (Lbs.)	Std. Beam Height (In.)	Minimum Radius Curve (In.)	Net Weight	
Lbs.	Tons							Plain (P) (Lbs.)	Geared (G) (Lbs.)
1000	1/2	CTH-1/2-P(G)*	14	18	58	6-18	48	64	71
2000	1	CTH-1-P(G)	14 ³ / ₈	38	58	6-18	48	80	87
3000	1 ¹ / ₂	CTH-1 ¹ / ₂ -P(G)	18 ³ / ₄	58	62	6-18	48	100	107
4000	2	CTH-2-P(G)	18 ³ / ₄	58	83	6-18	48	100	107
6000	3	CTH-3-P(G)	20	85	91	6-18	48	135	142
8000	4	CTH-4-P(G)	27 ¹ / ₁₆	116	85	8-18	**	221	228
10000	5	CTH-5-P(G)	27 ³ / ₄	174	72	8-18	**	280	287
12000	6	CTH-6-P(G)	27 ³ / ₄	174	87	8-18	**	280	287

NOTE:

For complete dimensional data, refer to Coffing Dimensional Databook.

NOTE: When ordering, specify "P" for plain trolley or "G" for geared trolley.

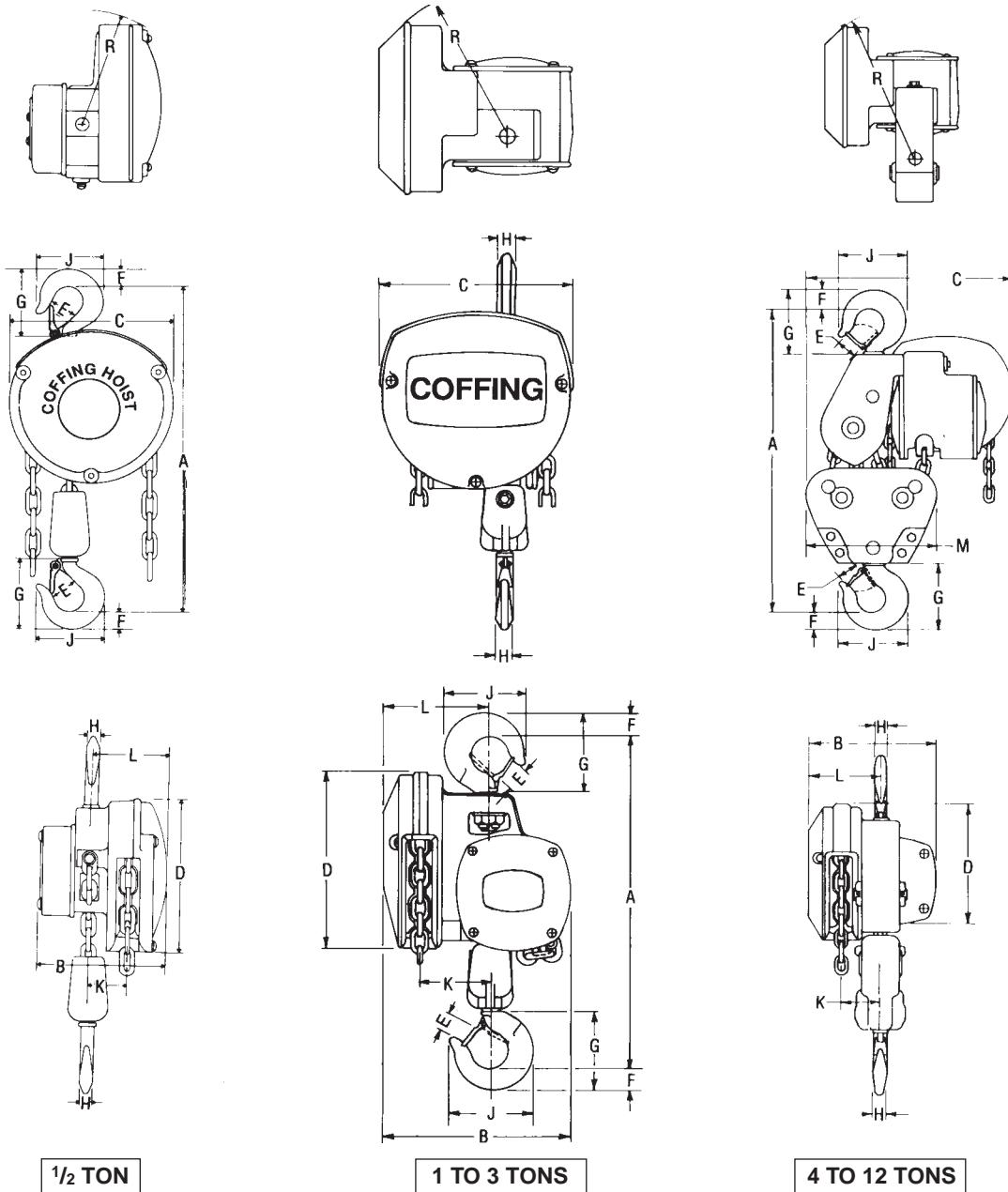
* Spur gear model.

** For Straight track only. Articulated model for 48 inch minimum radius curve track available. For wide flange and patented track applications, consult factory.

1/2 - 6 Ton

Made in USA

CA and CB 1/2 Ton - CA 1-12 Ton - CB (with or without Capacity Limiter)



1/2 TON

1 TO 3 TONS

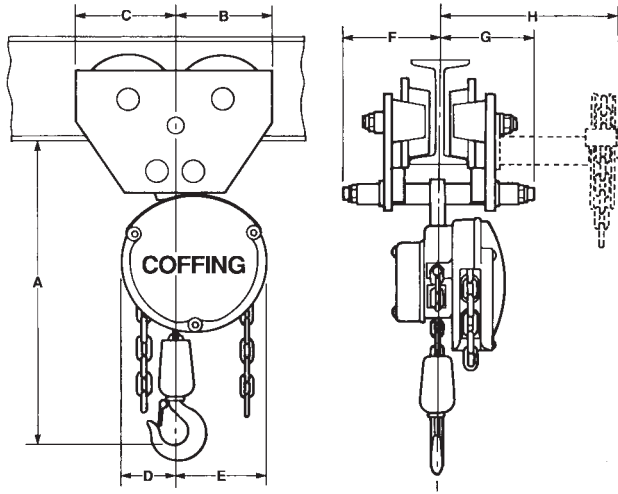
4 TO 12 TONS

Dimensions

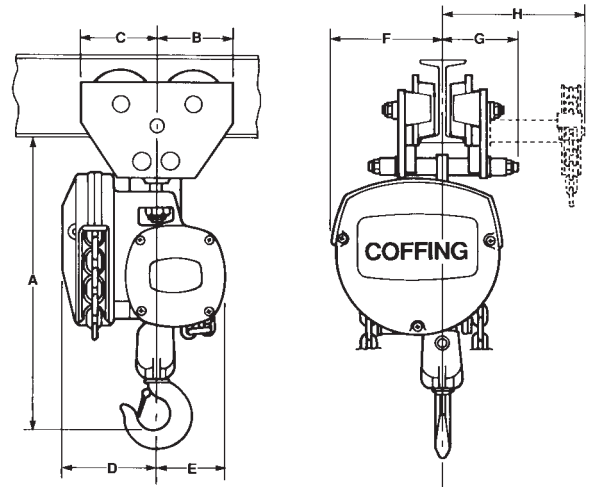
Model No.	Rated Load		A	B	C	D	E	F	G	H	J	K	L	M	R
	(Lbs.)	(Ton)													
CA-1/2	1000	1/2	13 ¹ / ₄	6 ¹ / ₂	8 ¹ / ₄	8	1	1	3 ¹¹ / ₁₆	3/4	3 ⁵ / ₈	2	3 ¹⁵ / ₁₆	—	6 ¹ / ₈
CB-1	2000	1	13 ³ / ₈	9	8 ⁵ / ₁₆	8	1	1	3 ¹¹ / ₁₆	3/4	3 ⁵ / ₈	3 ³ / ₄	5 ¹ / ₈	—	7 ¹ / ₈
CB-1 ¹ / ₂	3000	1 ¹ / ₂	18 ¹ / ₂	10 ⁵ / ₈	10 ³ / ₄	10 ³ / ₁₆	11 ¹ / ₃₂	17 ¹ / ₁₆	5 ⁷ / ₃₂	1 ¹ / ₈	4 ¹⁵ / ₁₆	4 ³ / ₁₆	6	—	9
CB-2	4000	2	18 ¹ / ₂	10 ⁵ / ₈	10 ³ / ₄	10 ³ / ₁₆	11 ¹ / ₃₂	17 ¹ / ₁₆	5 ⁷ / ₃₂	1 ¹ / ₈	4 ¹⁵ / ₁₆	4 ³ / ₁₆	6	—	9
CB-3	6000	3	21 ¹ / ₂	12	10 ³ / ₄	10 ³ / ₁₆	11 ¹ / ₁₆	11 ¹³ / ₁₆	6 ⁹ / ₁₆	1 ³ / ₈	6 ¹ / ₂	4 ¹¹ / ₁₆	6 ¹ / ₂	—	9 ³ / ₄
CB-4	8000	4	25 ¹ / ₄	10 ⁵ / ₈	13 ¹ / ₁₆	10 ³ / ₁₆	11 ¹ / ₁₆	11 ¹³ / ₁₆	6 ⁹ / ₁₆	1 ³ / ₈	6 ¹ / ₂	4 ³ / ₁₆	6	5 ¹ / ₈	11 ¹ / ₄
CB-5	10000	5	26 ³ / ₄	10 ⁵ / ₈	15	10 ³ / ₁₆	11 ¹ / ₁₆	11 ¹³ / ₁₆	6 ⁹ / ₁₆	1 ³ / ₈	6 ¹ / ₂	4 ³ / ₁₆	6	5 ⁵ / ₈	12
CB-6	12000	6	26 ³ / ₄	10 ⁵ / ₈	15	10 ³ / ₁₆	11 ¹ / ₁₆	11 ¹³ / ₁₆	6 ⁹ / ₁₆	1 ³ / ₈	6 ¹ / ₂	4 ³ / ₁₆	6	5 ⁵ / ₈	12
CB-8	16000	8	28 ¹ / ₂	10 ⁵ / ₈	16 ⁷ / ₁₆	10 ³ / ₁₆	2 ¹ / ₁₆	2 ¹ / ₄	8 ¹ / ₈	1 ⁵ / ₈	7 ⁹ / ₁₆	4 ³ / ₁₆	6	10 ¹ / ₂	12 ³ / ₈
CB-10	20000	10	31	12	18 ¹ / ₈	11 ¹ / ₈	2 ¹ / ₄	2 ⁵ / ₈	9 ¹ / ₁₆	1 ¹⁵ / ₁₆	8 ¹¹ / ₁₆	4 ¹¹ / ₁₆	6 ¹ / ₂	12	13 ⁵ / ₈
CB-12	24000	12	31	12	18 ¹ / ₈	11 ¹ / ₈	2 ¹ / ₄	2 ⁵ / ₈	9 ¹ / ₁₆	1 ¹⁵ / ₁₆	8 ¹¹ / ₁₆	4 ¹¹ / ₁₆	6 ¹ / ₂	12	13 ⁵ / ₈

Note: Where clearance dimensions are critical, request certified prints. Dimensions are in inches unless otherwise indicated.

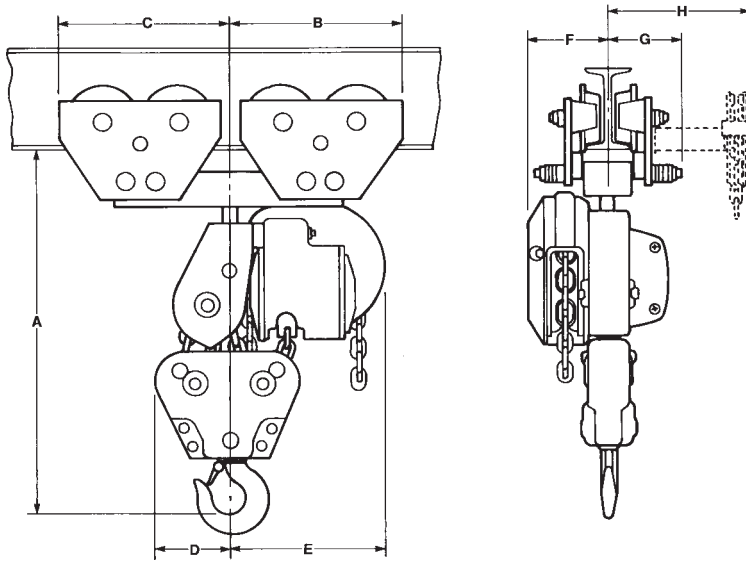
CTH Trolley Mounted Suspension



CTH-1/2 TON



CTH-1 TON TO 3 TONS



CTH-4 TON TO 6 TONS (Straight Track Only)

All dimensions are based on 6" x 12.5# American Standard I-Beam for 1/2 thru 3 Ton models.

All dimensions are based on 8" x 18.4# American Standard I-Beam for 4 thru 6 Ton models.

4-Ft. Minimum Radius on 1/2 thru 3 Ton models.

Dimensions are in inches unless otherwise indicated.

Dimensions

Model Number	A	B	C	D	E	F	G	H
CTH1/2	14	6 ¹ / ₄	6 ¹ / ₄	2 ⁷ / ₈	5 ¹ / ₄	5 ³ / ₈	5 ³ / ₈	7 ⁷ / ₈
CTH1	14 ³ / ₈	6 ¹ / ₄	6 ¹ / ₄	5 ¹ / ₈	3 ⁷ / ₈	5 ³ / ₈	5 ³ / ₈	7 ⁷ / ₈
CTH1 ¹ / ₂ & 2	18 ³ / ₄	6 ¹ / ₄	6 ¹ / ₄	6	4 ⁵ / ₈	6 ¹⁵ / ₁₆	5 ³ / ₈	7 ⁷ / ₈
CTH3	20	6 ³ / ₈	6 ³ / ₈	6 ¹ / ₂	5 ¹ / ₂	7 ¹ / ₄	5 ³ / ₈	7 ⁷ / ₈
CTH4	27 ¹ / ₁₆	12 ³ / ₄	12 ³ / ₄	3	10 ¹ / ₁₆	6	5 ³ / ₈	8 ¹ / ₄
CTH5 & 6	27 ³ / ₄	12 ⁷ / ₈	12 ⁷ / ₈	4 ³ / ₈	10 ⁵ / ₈	6	5 ³ / ₈	8 ¹ / ₄

Note: Where clearance dimensions are critical, request certified prints.